



Warranty

# 55W AC SERIES (48") 1220MM TRICOLOUR CEILING FAN WITH WALL CONTROL

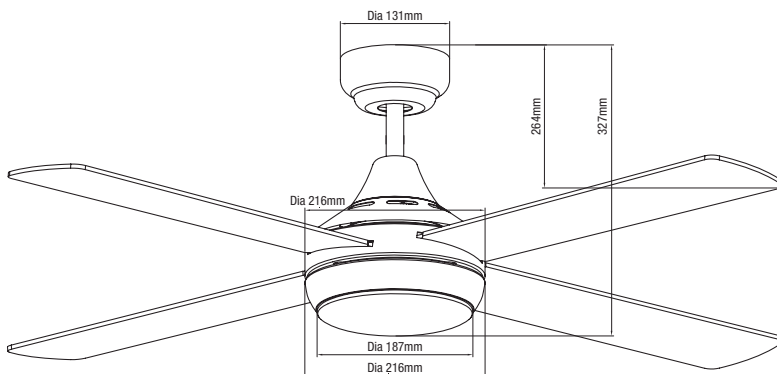
\*3 year in-home + additional 3 years on the motor.



- 1220mm (48") 4 Blade AC Ceiling Fan with 15W Tricolour LED Light
- Includes 3 Speed Wall Controller
- Matt Black or White

AC Motor	Blade Pitch	Summer/Winter Reverse Function	Quiet Operation	Airflow Capacity 7,600m <sup>3</sup> /hr	Hangsure Canopy	Indoor Use Only	3 Step Switch Dimming	Slimline LED Light Cover	Light Output 1650lm	3 Speed Wall Controller	Tricolour

## DIMENSIONS



Aust/NZ Approval No. SAA-202085-EA

## 55W AC SERIES (48") 1220MM TRICOLOUR CEILING FAN WITH WALL CONTROL

### FEATURES

- Powerful and efficient low noise 55W AC motor
- 15W Tricolour LED light with 3000K,4000K, 5000K colour temperature
- 1650 Lumens light output
- 3 Stage step dimming function



### SPECIFICATIONS

<b>Model name</b>	Link
<b>Model numbers</b>	Matt black FSL1243M White FSL1243W
<b>Power (wattage)</b>	55W
<b>Motor</b>	AC
<b>Voltage</b>	220-240V/50Hz
<b>Blade/fan material</b>	Plywood/pressed metal
<b>Lens cover material</b>	Polycarbonate
<b>Control</b>	3 speed wall control with light switch
<b>Installation location</b>	Indoor use only
<b>Fan diameter</b>	1220mm (48")
<b>Height of fan</b>	352mm
<b>Number of blades</b>	4
<b>Blade degree pitch</b>	11°
<b>Summer winter mode</b>	Yes
<b>Hangsure canopy</b>	15° maximum ceiling pitch
<b>Light Type</b>	LED
<b>Light wattage</b>	15W
<b>Tricolour/lumens</b>	3000k-1450lm, 4000k-1650lm, 5000k-1600lm
<b>CRI</b>	>80
<b>Beam angle</b>	160°
<b>Dimmable function</b>	3 stage step dimming
<b>Rated LED lamp life</b>	35,000 hours

### INSTALLATION

<b>Installation</b>	By licensed electrician only
<b>Warranty</b>	6 Years Warranty (3 year in-home + additional 3 years on the motor)

\*For further information regarding warranty terms and conditions, please refer to enclosed warranty statement. Warranty is void unless installed by a licensed electrician.

### SHIPPING

<b>Packaging size</b>	L530mm x H240mm x D250mm
<b>Gross weight</b>	7.18kg
<b>Net weight</b>	6.28kg
<b>Cubics per Carton</b>	0.032CBM

### AVAILABLE IN MATT BLACK AND WHITE



Model	Colour	Barcode
FSL1243M	Matt Black	9 312375 905615
FSL1243W	White	9 312375 905608