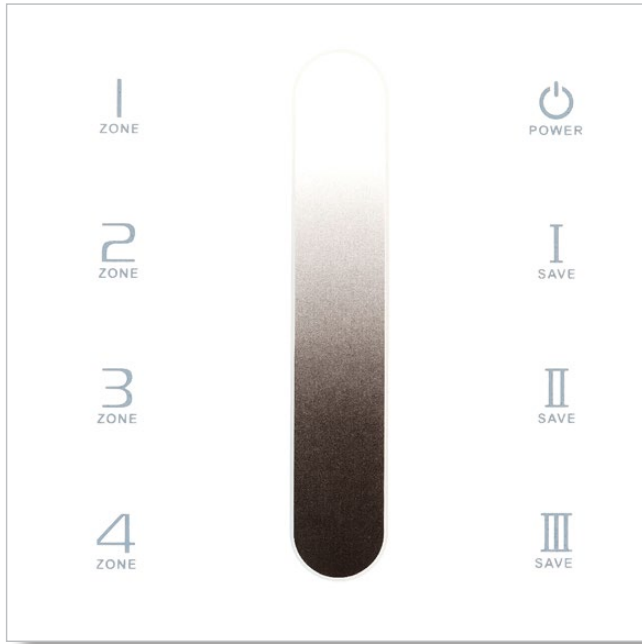


# SINGLE COLOUR 4 ZONE LED STRIP TOUCH PANEL CONTROLLER

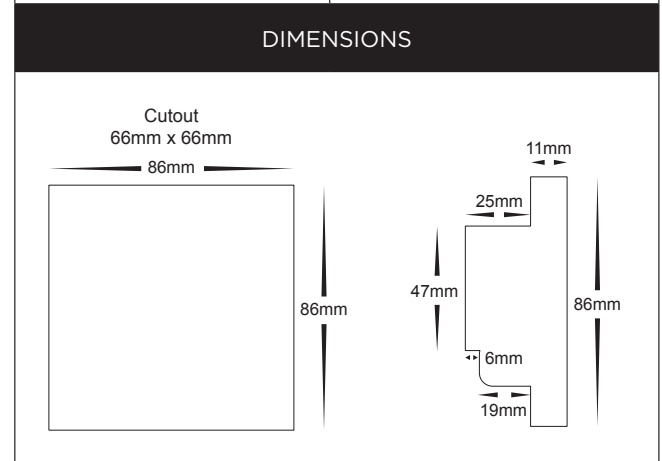


## PRODUCT ORDERING

LED STRIP CONTROLLER	
	<b>HCP-75213</b>
COMPATIBLE REEIVER	COMPATIBLE DMX DECODER
<b>HCP-76241</b>	<b>HCP-73211</b>

## PRODUCT DATA

SINGLE COLOUR 4 ZONE TOUCH PANEL	
MATERIAL	PLASTIC + GLASS
COLOUR/FINISH	WHITE
LED STRIP TYPE	SINGLE COLOUR
NO. OF ZONES	4
INPUT VOLTAGE	240V AC
OUTPUT SIGNAL	2.4GHZ + DMX512
DIMMING	YES
DIMMING RANGE	5% - 100%
PROTECTION	OVERLOAD & SHORT CIRCUIT
WORKING TEMP	-30°C - 55°C
WEIGHT	165G



## SAMPLE WIRING DIAGRAM

