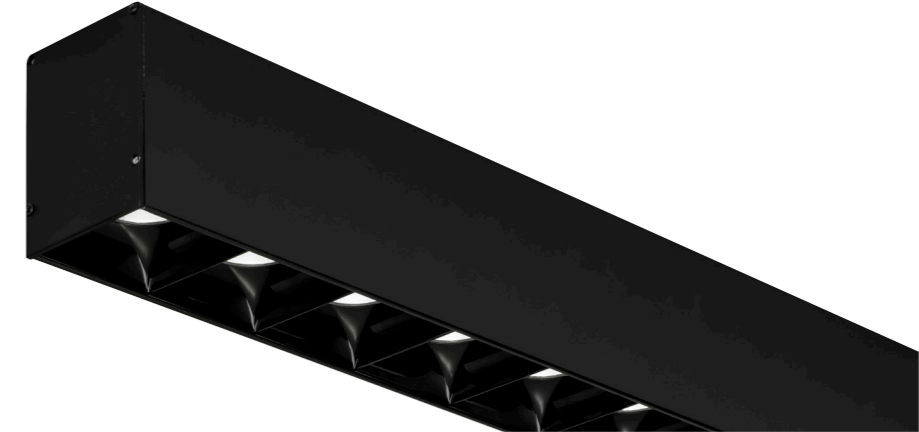
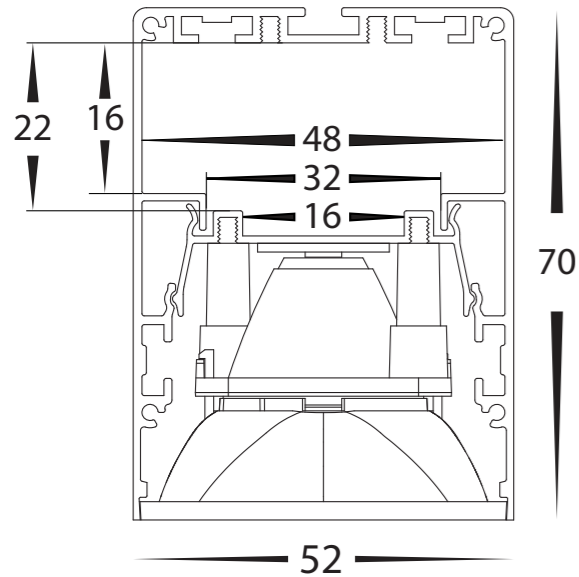
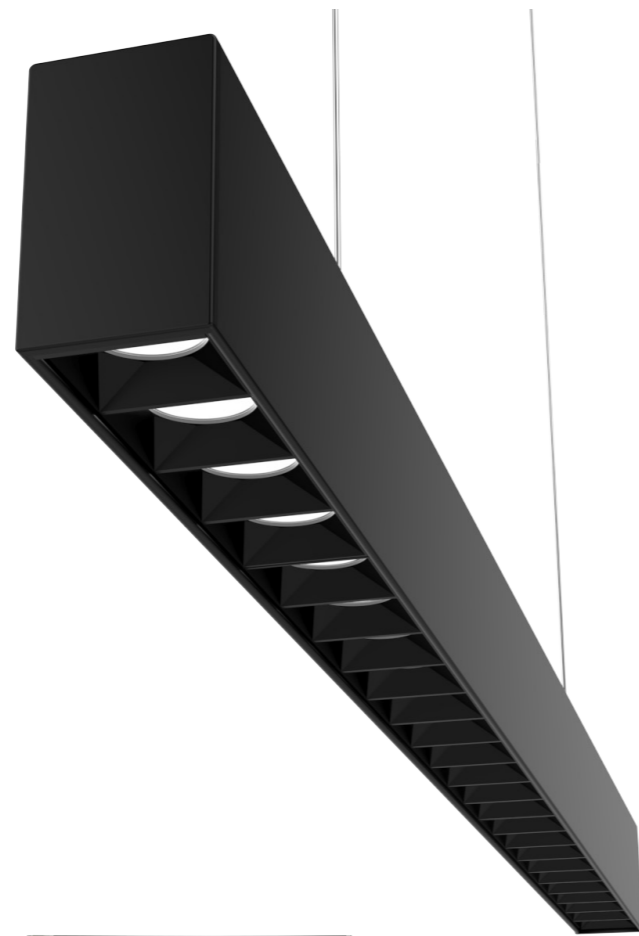


# ALUMINIUM PROLINE PENDANTS

Havit Commercial would like to introduce the latest products in its Proline Pendant Range, This new product can be ordered in custom sizes up to 2840mm in length. This model comes complete with reflector style diffuser to allow for more directional light. Built into this Profile is a newly designed TRI Colour Rigid PCB with a 10w Per Metre output and high lumens per watt.

For more information contact our friendly sales staff or your Havit Commercial Sales Representative.

LINEAR PROLINE PENDANTS	
MATERIAL	ALUMINIUM
COLOUR / FINISH	MATT BLACK OR MATT WHITE
COLOUR TEMP	3000K   4000K   5000K
INPUT VOLTAGE	240V
DIMMING	TRIAC, 0-1/10v, Dali
CRI	RA >80
BEAM ANGLE	60°
IP RATING	IP20
WARRANTY	5 YEARS REPLACEMENT



ALUMINIUM BLACK SURFACE MOUNTED OR PENDANT EXTENSION				
HCP-60252722 (TRIAC + 0-1/10v Dimmable)	Aluminium Black Extension or Surface Mount complete with internal driver and Rigid PCB - Per Metre (Custom Sizes available every 142mm±10mm)	10W LED (Per Metre)	3000K	900LM
HCP-60252724 (Dali Dimmable)			4000K	920LM
			5000K	930LM



ALUMINIUM WHITE SURFACE MOUNTED OR PENDANT EXTENSION				
HCP-60352722 (TRIAC + 0-1/10v Dimmable)	Aluminium White Pendant or Surface Mount complete with internal driver and Rigid PCB - Per Metre (Custom Sizes available every 142mm±10mm)	10W LED (Per Metre)	3000K	900LM
HCP-60352724 (Dali Dimmable)			4000K	920LM
			5000K	930LM

ALUMINIUM BLACK PENDANTS				
HCP-69252722 (TRIAC + 0-1/10v Dimmable)	Aluminium Black Pendant complete with internal driver and Rigid PCB - Per Metre (Custom Sizes available every 142mm±10mm)	10W LED (Per Metre)	3000K	900LM
HCP-69252724 (Dali Dimmable)			4000K	920LM
			5000K	930LM

ALUMINIUM WHITE PENDANTS				
HCP-69352722 (TRIAC + 0-1/10v Dimmable)	Aluminium White Pendant or complete with internal driver and Rigid PCB - Per Metre (Custom Sizes available every 142mm±10mm)	10W LED (Per Metre)	3000K	900LM
HCP-69352724 (Dali Dimmable)			4000K	920LM
			5000K	930LM

ACCESSORIES		
	HCP-4805271-JOINER	STRAIGHT JOINER
	HCP-4805270-JOINER-180°	STRAIGHT JOINER
	HC-600000-SM	SURFACE MOUNT CLIP