

# SHOPTRI

## LED Tri-CCT Dimmable Shop Lighter



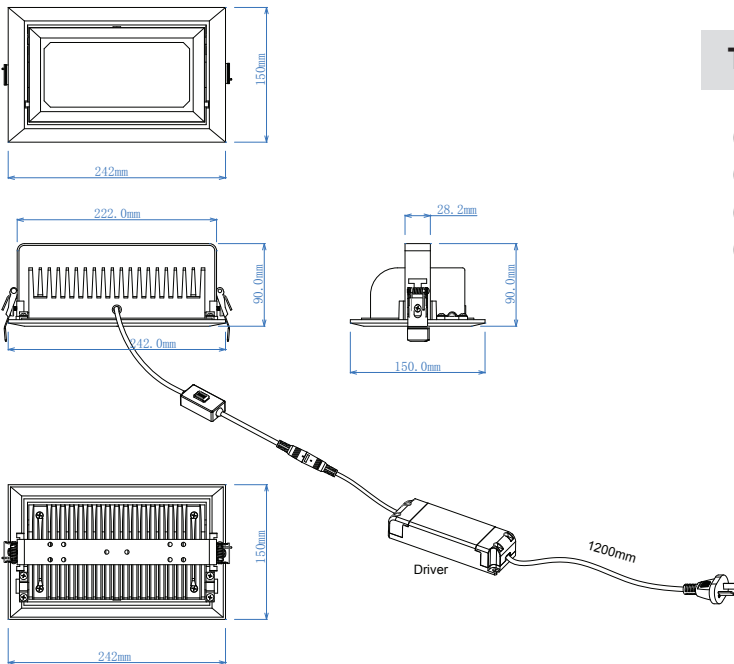
### Product Features:

- Input voltage: 200-240V AC 50/60Hz
- External constant current dimmable driver included
- Housing: white powder coated aluminium
- Textured clear glass diffuser
- Mounting plate & heatsink: aluminium
- Surface mounted or recessed
- Adjustable: 90°
- Tri-CCT (3000K / 4000K / 5700K) switch on DC cable
- LED chips: SMD2835
- Power factor: 0.95
- CRI: ≥80
- Flex & plug: 1200mm
- Mounting bracket: L 222mm x W 28.2mm
- Suitable for dimming
- Suitable for 2 way switching
- Suitable for use with PIR or Microwave sensors
- Ambient temp: -20 to 40°C



### Tested & Recommended Dimmers: (1-6pcs/dimmer)

- (1) CLIPSALE: 32ELEDM, 32E450UDM, 31E2PUDM;
- (2) HPM: Cat250, Cat250T, Cat400T
- (3) CLA: LYNX, VELA
- (4) Diginet: MMDM/RT, MEDM



PART NO.	LUMENS			WATT	CRI	DIMENSIONS	CUT OUT	WEIGHT	BOX	CARTON QTY
	3000K	4000K	5700K							
SHOPTRI	2900lm	3200lm	3000lm	35W	≥80	242x150x90mm	230x130mm	1.95kg	27x16x11cm	1/6