

# PAR3001: PAR30 LED GLOBE



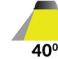


Globes - LED Globes

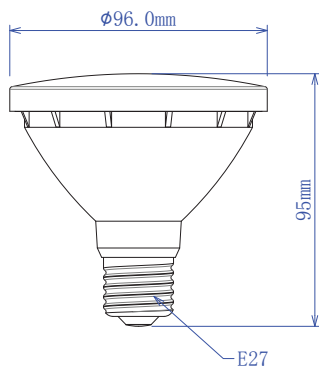


### Product Features:

- Input voltage range: 185-265V AC 50/60Hz
- Constant current driver included
- Housing: PBT, aluminium & PC
- Heat sink: PBT & aluminium
- LED chips: 10pcs SMD2835
- Power factor:  $\geq 0.5$
- Ambient temp: -10 to 40°C
- Not suitable for dimming
- Suitable for 2-way switching
- Suitable for use with PIR sensor

 E27	 20,000hr Lifetime	 40° Beam Angle	<b>IP44</b> Rated	<b>2YEAR</b> Replacement Warranty
---	--	---	----------------------	---

### Suitable for CLA SEC series security lights



PART NO.	DESCRIPTION	BASE	KELVIN	LUMENS	WATT	CRI	WEIGHT	BOX	CARTON QTY
PAR3001	GLOBE LED ES PAR30 (Black P/C)	E27	5000K	800lm	10W	80	0.15kg	10.2X10.2X10.5cm	1/50